

## SINGLE RUN 305 - METAL

### Capacity:

- Maximum door weight: 700kg.
- Maximum door height: 4800mm.
- Door thickness: 45mm - 65mm.

### Application:

A general purpose top hung track system for straight sliding steel doors in commercial or industrial situations.

### Components:

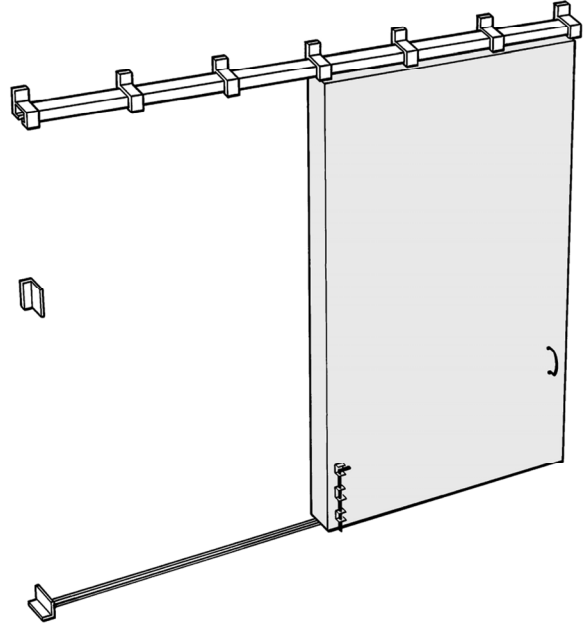
- Track - (305). Available in 2m and 3m lengths.
- Brackets - single run, face fixing (1/305).
- Brackets - single run, soffit fixing (3/305).
- Brackets - single run, soffit fixing, parallel ear (4/305).
- Brackets - face fixing, restricted headroom (9/305).
- Hangers - metal doors, 4-wheel, bolt-fix, steel (56CS).
- Guides - metal doors, (104P/97).
- Guide - metal doors, (106R/97).
- Channel - galvanised steel (100). Available in 2m, 2.5m and 3m lengths.
- Channel - galvanised steel (97). Available in 2m, 2.5m and 3m lengths.
- Bottom Guide Rail - (299). Available in 2m lengths.

### Optional Extras:

- Flush Pulls.
- Flush Bolts.
- Handles.
- Stops.

### Please note:

- Brackets to be fixed every 700mm - 900mm maximum and at track joints.
- Two hangers required per door.
- Please refer to component section for component options and technical detail.



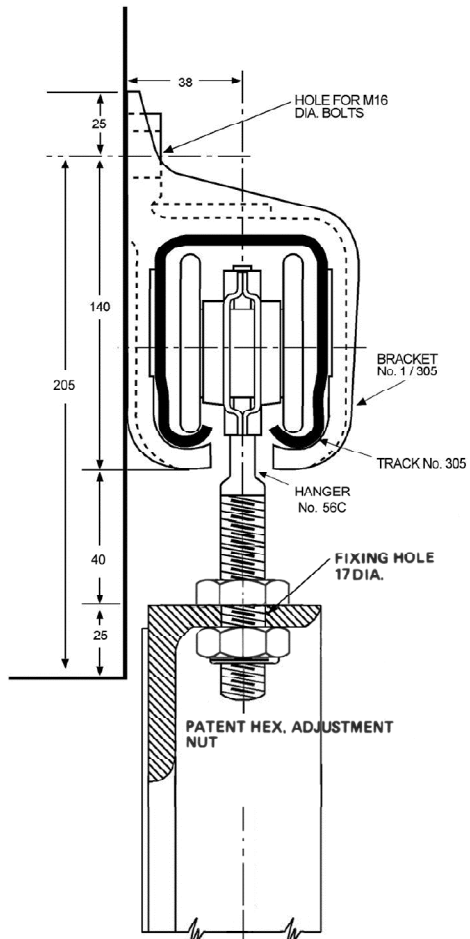
EXT

INT



## SINGLE RUN 305 - METAL

SINGLE RUN 305 - METAL



NOT TO SCALE

